

## Dial Caliper 142 Series

Please carefully review these instructions to ensure proper and accurate use of your new Dial Caliper.

### Precautions

- **Maintenance & Cleaning**

Before use, thoroughly remove oil, dust and dirt from the entire surface of the dial caliper. Be sure not to damage the measuring and reference faces.

- **Zero Point Confirmation**

Before taking a measurement, clean and close the jaws and check that the dial needle points to "0" on the dial face.

- **During Use**

Properly close the caliper on the workpiece. Do not allow dirt, chips, etc., to enter the rack. Otherwise, the rack and pinion could be seriously damaged, resulting in reduced accuracy and improper zero adjustment.

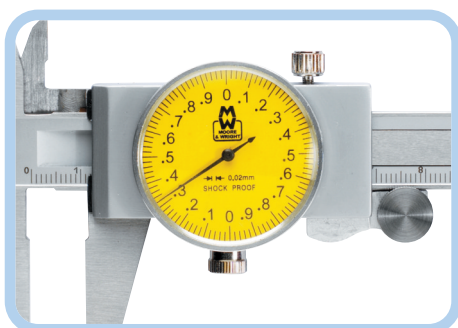
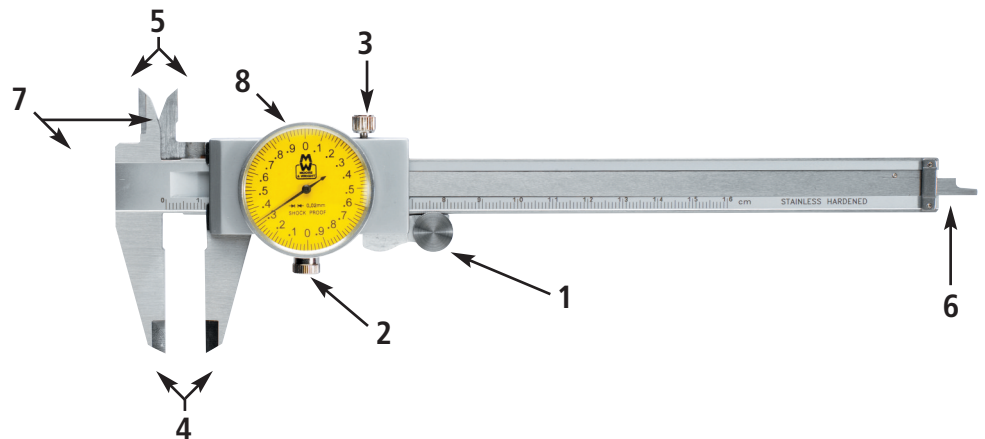
### Zero Setting

- Clean both measuring faces of jaw (4) and close caliper to see if the needle points to "0" on the dial face
- If caliper does not zero, loosen the bezel clamp screw (2) and rotate the bezel to the "0" position
- Tighten the bezel clamp screw (2) to fix the "0" position

### Readings

- Millimetre (1mm) measurement can be read on the main scale
- 0.02mm may be read on the dial gauge
- One revolution equals 2mm

- 1: Thumb wheel
- 2: Bezel clamp screw
- 3: Carriage lock screw
- 4: Outside jaws
- 5: Internal jaws
- 6: Depth rod
- 7: Step measurement
- 8: Bezel



**Example:**

Main Scale 11mm  
 Dial Indicator 0.32mm  
**Total Value 11.32mm**