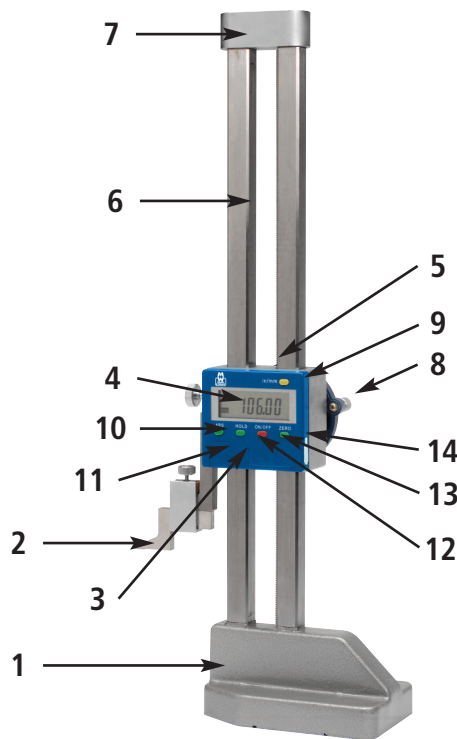


## Digitronic Height Gauge 196 Series

Please carefully review these instructions to ensure proper and accurate use of your new Digitronic Height Gauge.



### Features

1. Base
2. Carbide tipped measuring scriber
3. Carriage slider
4. Large 11mm LCD display
5. Hand wheel
6. Column
7. Frame lock
8. Carriage lock
9. mm/in conversion
10. ABS
11. Battery compartment
12. Hold
13. On/Off
14. Zero setting

### Specifications

Range:	0-12"/0-300mm
Resolution:	0.01mm; 0.0005"
Indication accuracy:	± 0.04mm; 0.0002"
Indication variability:	0.01mm; 0.0005"
Working temperature:	0 - 40°C
Storage temperature:	-20 - 70°C.
Maximum relative humidity:	80%

### Functions

- OFF/ON key
- mm/in key: metric/inch conversion
- ABS key (relative measuring and absolute measuring)  
When height gauge is in absolute mode, press the key to enter the relative measuring mode. The screen will display 0.00. Press again, and the gauge returns to the absolute measuring mode while retaining the zero
- Hold key (display hold)  
Press the key, H appears. The display will not change although the processor is still operating. Press the key again, H will disappear and the display will show the current reading
- Zero key (zero setting)
- RS232 output

### Zero Setting

- Clean base and scriber before use
- Relax carriage lock knob
- Rotating the hand wheel  
A. Course adjust: Rotate the hand wheel, with the small handle Move the measuring scriber down to the basic plane  
B. Fine adjust: Rotate the hand wheel slowly using the large blue wheel. Let the measuring scriber contact the part carefully without force
- Press zero setting key. Screen shows 0.00. Measuring or marking may begin

### Battery Replacement

One SR44 (5U085) silver oxide battery can provide up to one year of normal use. The display will flash when a new battery is needed

### Precautions

- Keep the instrument clean and avoid shocks or accuracy may be affected
- Move the instrument by the base, not the columns
- Lower the carriage when not in use, but not lower than the bottom of the base. If the unit will not be used for some time, remove the scriber and apply a light coat of oil on all surfaces
- Keep away from strong magnetic fields
- Prevent water or other liquids from entering the carriage