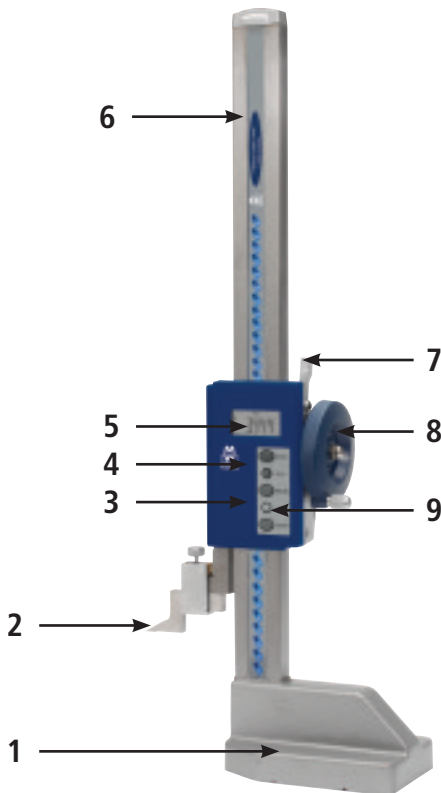


Digitronic Height Gauge 191 Series

Please carefully review these instructions to ensure proper and accurate use of your new Digitronic Height Gauge.



Features

1. Base
2. Carbide tipped measuring scriber
3. Battery compartment
4. Carriage
5. Large 11mm LCD display
6. Column
7. Carriage lock
8. Hand wheel
9. Control panel

Specifications

Resolution:	0.0005"/0.01mm
Indication accuracy:	12"/300mm and 24"/600mm
Indication variability:	0.0005"/0.01mm
Working temperature:	0 - 40°C
Storage temperature:	-20 - 70°C
Maximum relative humidity:	80%
Maximum measuring speed:	120"/3m per second

Functions

- OFF/ON key
- mm/in key: metric/inch conversion
- ABS/INC key (incremental measuring and absolute measuring).
When height gauge is in absolute mode, press the key to enter the incremental measuring mode. The screen will display 0.00 and INC will appear. Press again, and the gauge returns to the absolute measuring mode while retaining the zero
- "H" key (display hold).
Press the key, "H" appears. The display will not change although the processor is still operating. Press the key again, "H" will disappear and the display will show the current reading
- "0" key (zero setting at any position)
- RS232 output

Zero Setting

- Clean base and scriber before use
- Release locking handle
- Rotating the hand wheel
 - A. Course adjust: Rotate the hand wheel, with the small handle. Move the jaw down to the basic plane
 - B. Fine adjust: Rotate the hand wheel slowly using the large blue wheel. Let the jaw contact the part carefully without force
- Press zero setting key. Screen shows 0.00. Measuring or marking may begin

Battery Replacement

One CR2032, 3V lithium battery can provide up to one year of normal use. The display will flash when a new battery is needed

Precautions

- Keep the instrument clean and avoid shocks or accuracy may be affected
- Move the instrument by the base, not the column
- Lower the carriage when not in use, but not lower than the bottom of the base. If the unit will not be used for some time, remove the scriber and apply a light coat of oil on all surfaces.
- Keep away from strong magnetic fields
- Prevent water or other liquids from entering the carriage